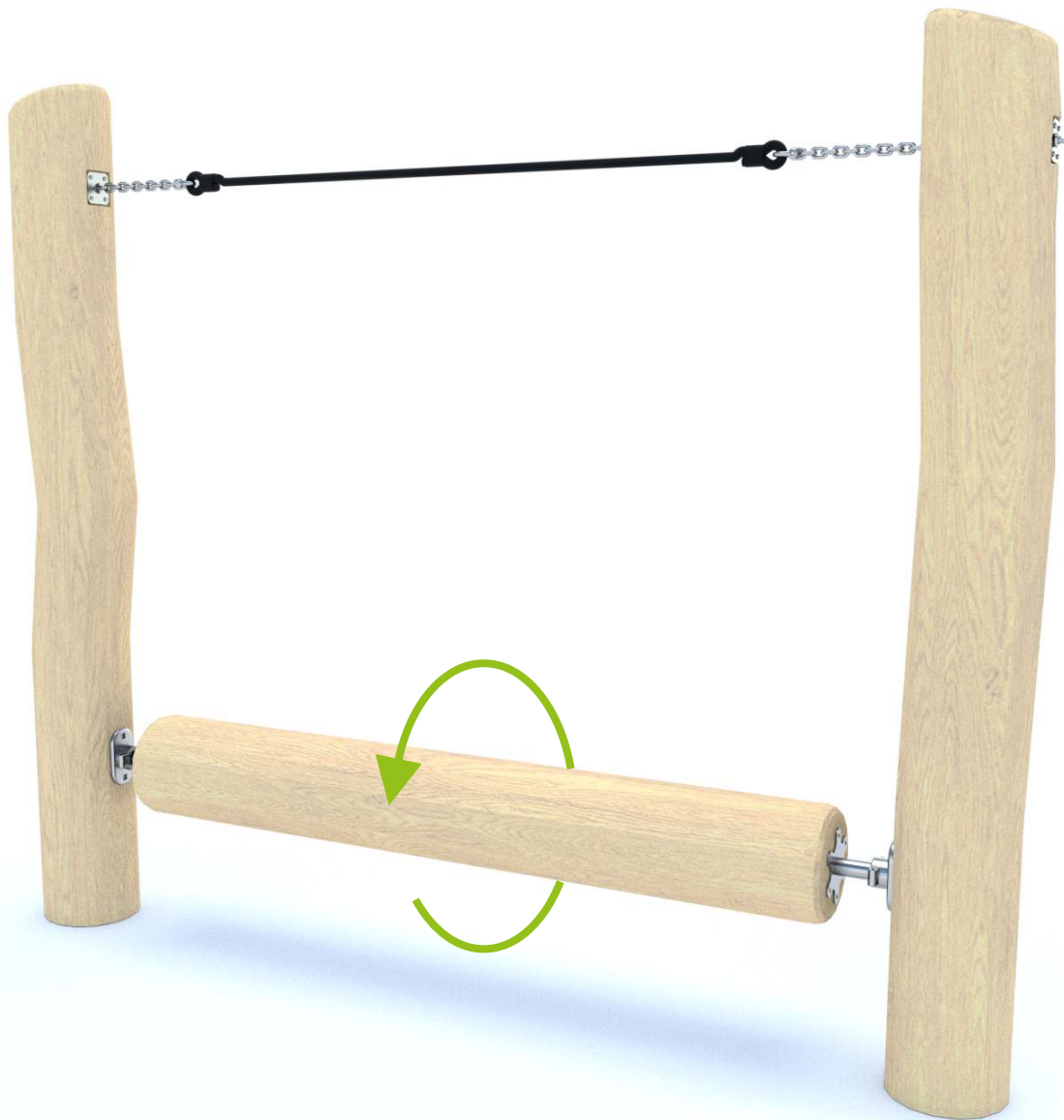




SOCIALIZING



BALANCING

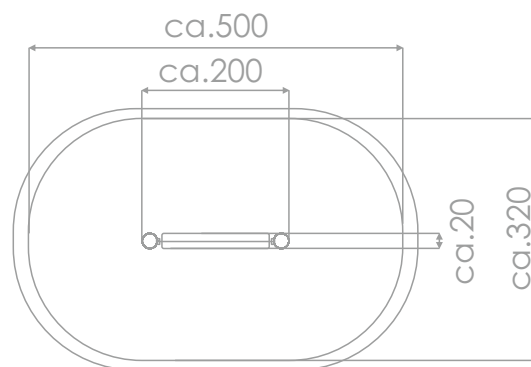


INFORMATION ABOUT THE PRODUCT

|   |                 |
|---|-----------------|
| Dimensions  | ca.200 x 20 cm  |
| Safety zone   | ca.500 x 320 cm |
| Overall height  | ca.170 cm       |
| Free fall height  | ca.40 cm        |
| Amount of users   | 3 persons       |
| Product complies with EN 1176-1:2017-12   | YES             |
| Availability of spare parts   | YES             |
| Age range   | 3-12            |
| The biggest element:  | 240 cm          |
| The heaviest element:   | 74 kg           |
| <small>According to EN 1176-1:2017-12 norm, the product requires applying a safety surface according to the product's free fall height.</small> |                 |

Visualisation is for reference only, actual appearance may vary.





SCALE 1:100

#### MATERIALS:

NATURAL ROBINIA WOOD



ATTESTED 6 MM STAINLESS  
STEEL CHAINS



POLYPROPYLENE ROPES  
PP - MULTISPLIT TYPE WITH  
A STEEL CORE AND  
A DIAMETER OF 16 MM

